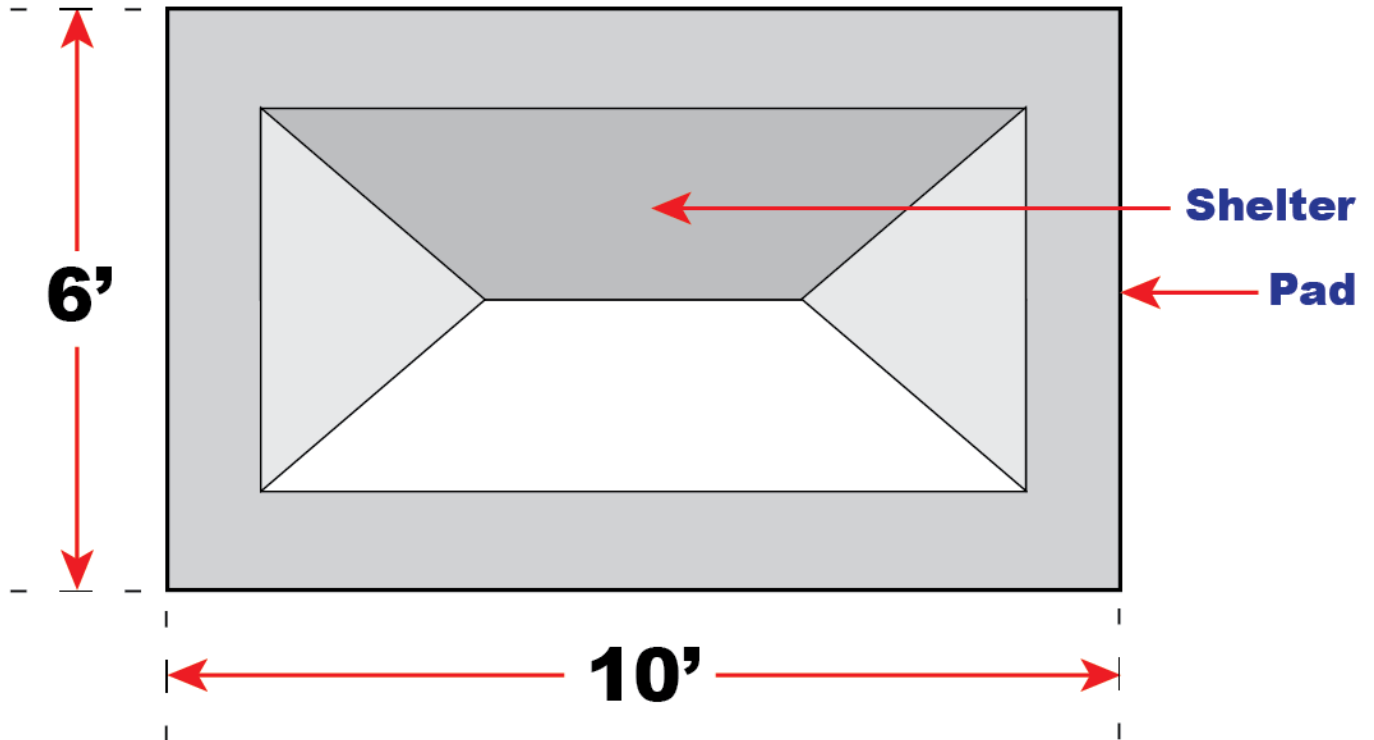
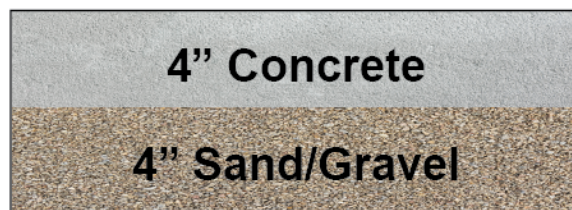


PARTA Shelter Pad Specifications



Pad thickness & substrate requirements



Once PARTA has approved a shelter request, a concrete pad must be poured *at the property owner's expense* in advance of shelter placement. The dimensions of the pad must be 10 feet by 6 feet with a substrate composed of 4 inches of sand/gravel beneath a 4 inch layer of concrete.



**PORTAGE AREA REGIONAL
TRANSPORTATION AUTHORITY**

2000 Summit Rd. Kent, OH 44240
330.678.7745